

Features & Benefits

Metal Shelves

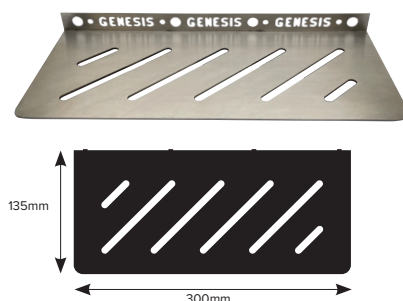
Add class and utility to any bathroom or kitchen with our range of tile shelves available in both rectangular and triangular designs with options to tile-in or easy to install retrofit.

Standard finishes of Stainless Steel, Gold and Black complement any space or for ultimate flexibility we provide a RAL colour match service; have it your way with Genesis.



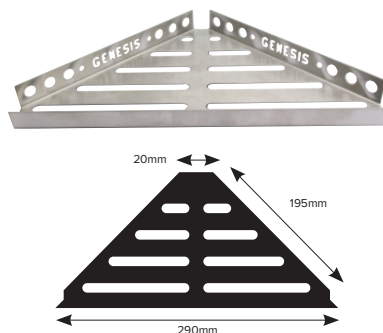
KBSTS - Straight Tile-In Shelf

- Flexible and simple Installation
- Stainless Steel
- Modern design with multiple finishes available
- Durable stainless steel protection
- Easy to clean
- 8 standard finishes
- Powder coating available



KBREV - Reversible Shelf

- Premium Design
- Grade 304 stainless steel
- Reversible
- Tile in
- Simple to install
- 8 standard finishes
- Powder coating available

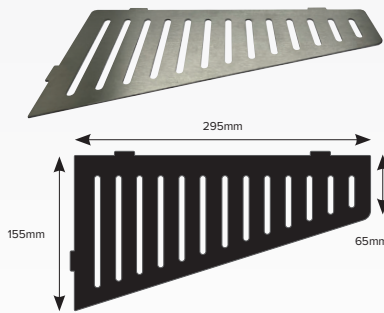


Features & Benefits

Metal Shelves

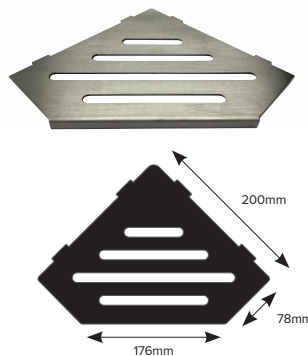
KBSWS - Wing Shelf

- Tapered Corner Shelf
- 1.8mm thickness
- Retrofit installation
- Grade 304 stainless steel
- Sleek design
- 8 standard finishes
- Powder coating available



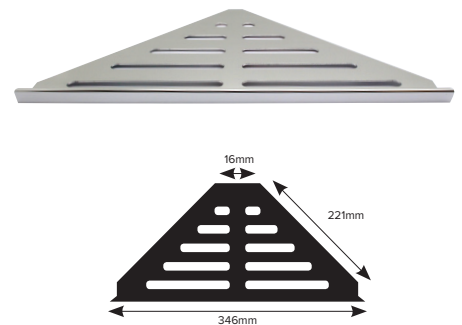
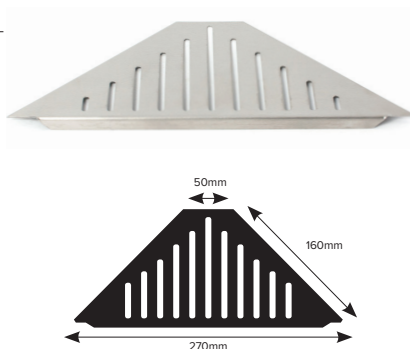
KBSDS - Diamond Shelf

- Unique Symmetrical Design
- 1.8mm thick
- Retrofit installation
- Grade 304 stainless steel
- 8 standard finishes
- Powder coating available

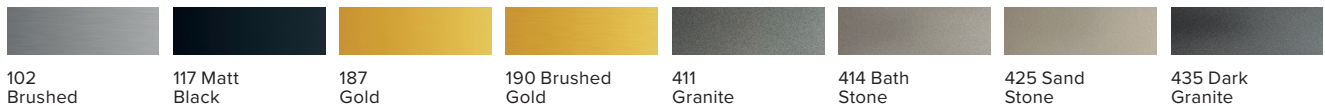


KBSSS & KBSSA

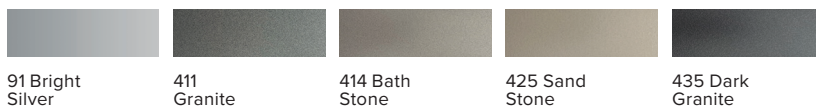
- Retro-Fit Corner Shelf
- Tile in or fitted respectively
- Holes for drainage
- Fits in 90 degree corners
- No drilling required
- Aluminium and stainless steel options



Stainless Steel Finishes



Aluminium Finishes



Genesis
For the Perfect Finish