

Product-Datasheet

Marmox shower drain kit

Part number: **160461**

For use with mosaic, tile, up to 15 mm with 2 mm adhesive bed. Marble, limestone etc can be accommodated by ordering extra extension frames. The Marmox tray is factory fitted with the K-frame.

Each kit comes complete with:

ORIO shower trap: conforming to DIN EN 274

adjustable ball-joint connector, BS 1 1/2" ABS socket

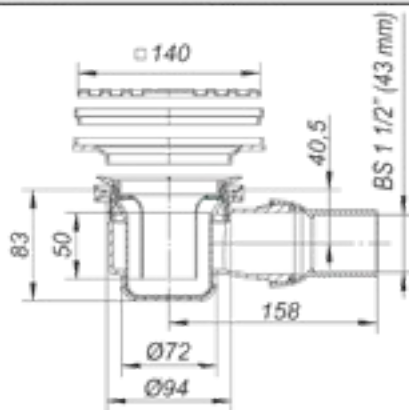
polypropylene body and removable trap

E 140 grate : 304 stainless steel, 140 x 140 x 5 mm (part number 501110)

extension frame (part number 480811)

key/temporary cover

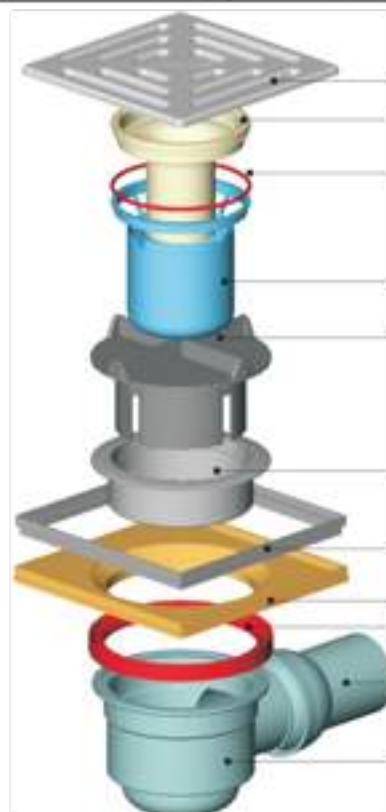
Flow rate : 0,54 l/s



E 140 grate (501110)



extension frame (480811)



E 140 grate (501110)

dip-tube (101023606)

o-ring (980051803)

trap bucket (300021192)

key / temporary cover (301003924)

ERP 38 mm threaded waste (301023982)

extension frame (480811)

K-frame (480972) pre-fitted to tray
main seal (130053582)

outlet DN 50 x 1 1/2" (43 mm) BS 5255
solvent weld socket (909703906)

body (101023604)