

DESIGNER WALL & CORNER BARS

1. Telescopic Wall Bar - Glass to Wall

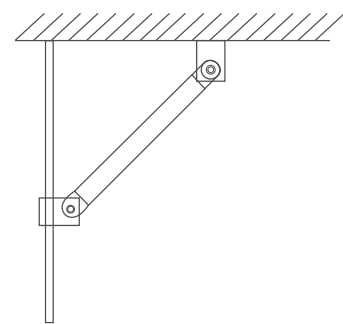


The Telescopic Wall Bar comes standard in every Orbry Shower Screen kit (Image 1). There are also two different upgrade options; the Designer Corner Bar (Image 2) and the Designer Wall Bar (Image 3), depending on the configuration of your shower screen. Not all support bars are suitable for all screen sizes and configurations.

2. Designer Corner Bar - Glass



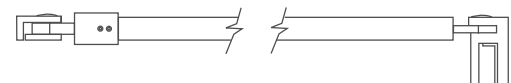
Suitable for screens under 800mm or when a return panel is used.



3. Designer Wall Bar - Glass to Wall



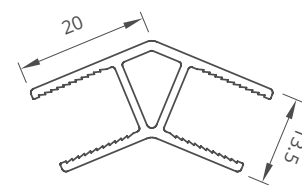
Suitable for a direct upgrade to the Telescopic Wall Bar.



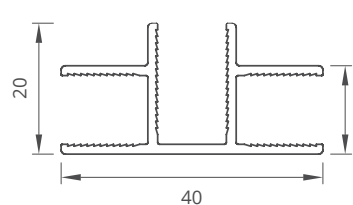
CHANNELS

To add additional glass panels to the shower enclosure, you'll need a channel to connect the two pieces of glass. Choose from a 90° Corner Channel, 135° Corner Channel, or a T-Shaped Channel.

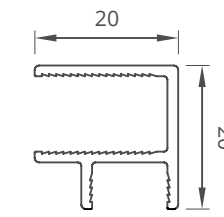
All of these channels are optional items that can be added to your Orbry Shower Screen kit.



135 Degree Corner Channel 2000mm



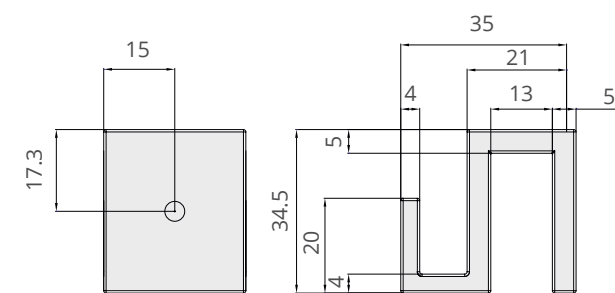
T-Shaped Channel 2000mm



90 Degree Corner Channel 2000mm

ROBE HOOKS

The Orbry Double Robe Hook is perfect for saving space in your bathroom. The robe hook simply clips on to the top of your shower screen, meaning that your towel and robe can hang outside your shower and be close at hand.



Double Robe Hook



Orbry, Hollybush Lane, Aldershot, Hampshire, GU11 2PX, United Kingdom.

web: www.orbry.com
tel: 0845 208 0221



Follow us on Twitter:
[@Orbry](https://twitter.com/Orbry)



Like us on Facebook:
facebook.com/OrbryWetRooms



2013 COLLECTION

WET ROOM SHOWER SCREENS

Create a unique and minimalistic look in your wet room with a frameless glass shower screen from Orbry.

Functionally, a shower screen provides a protective barrier so that unwanted water doesn't splash outside the showering area and makes drainage easier by containing the water within the level-access tray; you won't need to slope the entire floor of the wet room towards the drain.

Orbry Shower Screens are 2 metres high and made of 10mm toughened safety glass. The frameless screens come in a variety of sizes. There are also plenty of upgrades and additional products available, making it easy for you to customise the screen to meet your exact needs.

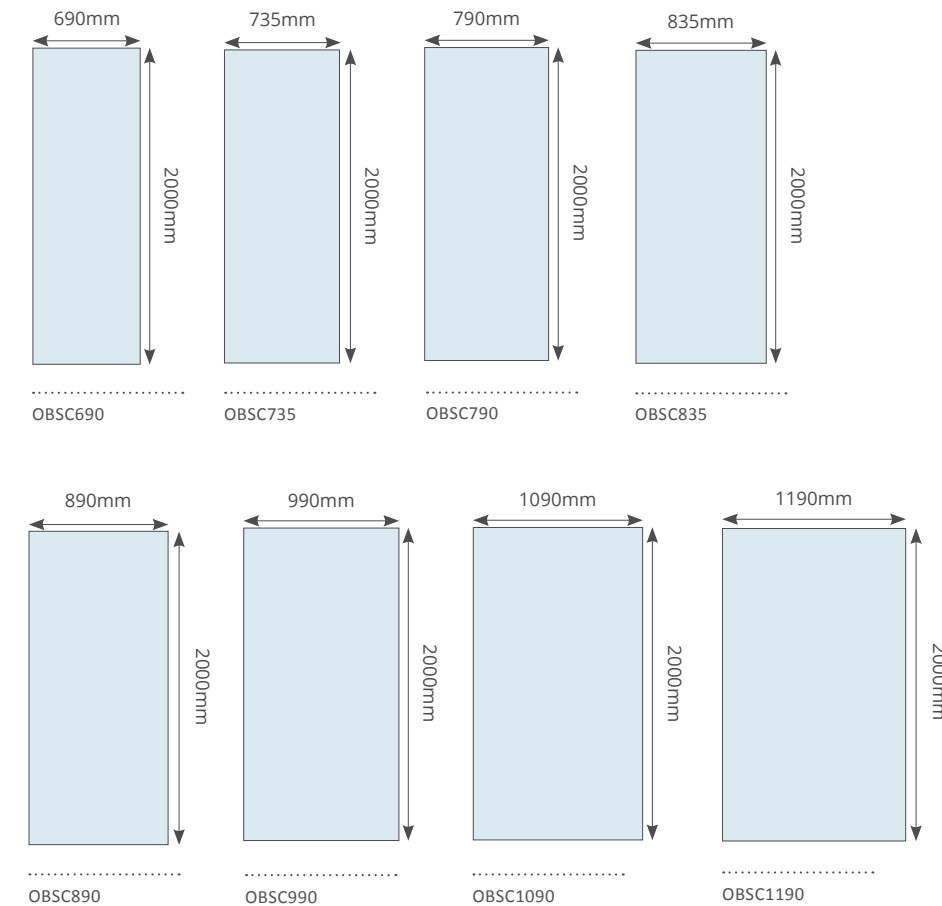
What is included when purchasing an Orbry Shower Screen?

- 10mm toughened glass (*height of 2m*)
- Glass coated with genuine Clearshield™ coating (*to one side*)
- Surface wall and floor channels
- Telescopic Wall Bar
- 2-man delivery to the room of your choice

SHOWER SCREENS

Orbry Shower Screens are available in the following sizes:

- 690mm x 2000mm
- 735mm x 2000mm
- 790mm x 2000mm
- 835mm x 2000mm
- 890mm x 2000mm
- 990mm x 2000mm
- 1090mm x 2000mm
- 1190mm x 2000mm



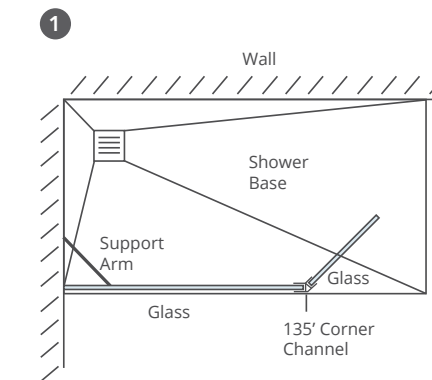
The following glass return panels are also available as additional options:

- 290mm x 2000mm
- 390mm x 2000mm

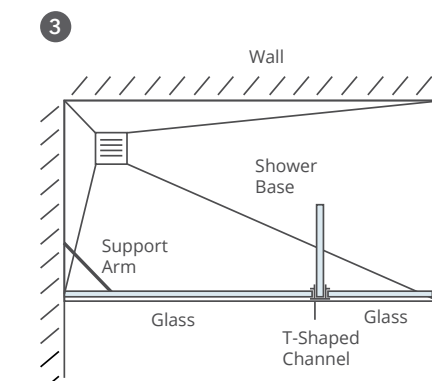
WET ROOM SHOWER ENCLOSURE CONFIGURATIONS

The following diagrams are examples of what can be achieved through upgrades and additional products to create a shower area that is uniquely designed to suit your requirements.

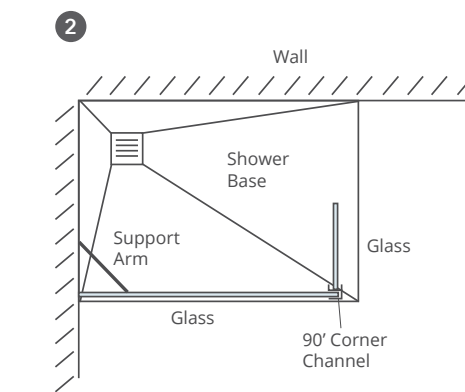
These are just some of the options available when it comes to designing the shower enclosure; the options are endless when choosing Orbry.



To create **Example Layout 1**, you will need to upgrade the Telescopic Wall Bar to a Designer Corner Bar and purchase an extra glass return panel, and a 135° Corner Channel.



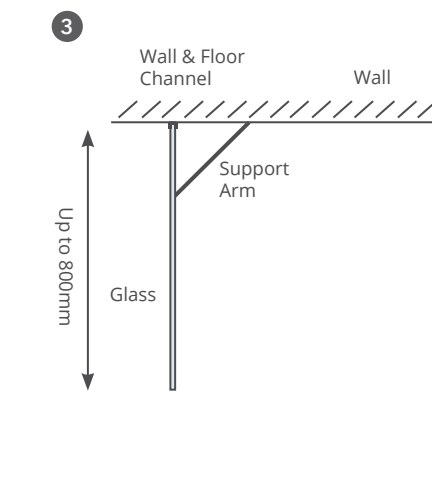
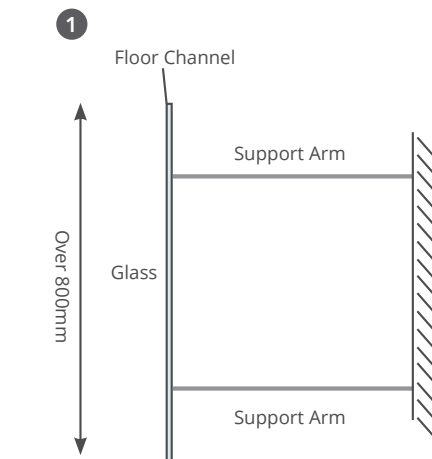
If **Example Layout 3** is the desired look, then you will need to upgrade the Telescopic Wall Bar to a Designer Corner Bar and purchase two additional glass return panels, and T-Shaped Channel.



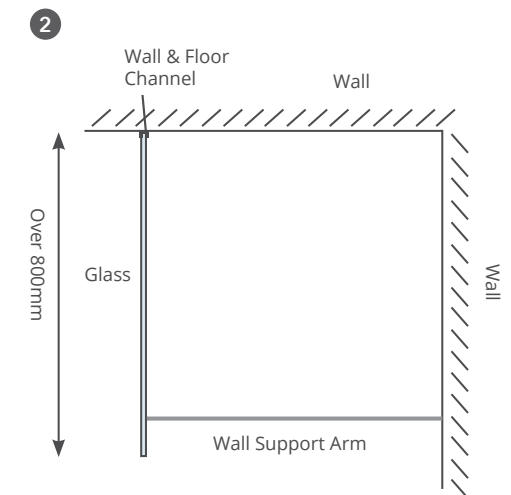
Example Layout 2 can be installed by upgrading the Telescopic Wall Bar to a Designer Corner Bar and purchasing an additional glass return panel, and 90° Corner Channel.

GLASS SUPPORT

If a shower screen over 800mm is being installed within the shower area, a Telescopic Wall Bar or Designer Wall Bar must be used to connect the glass to the wall (*see Options 1 & 2*). The only exception to this is when an additional return panel is used (available separately).



If a shower screen under 800mm is being installed within the shower area, you can use the standard Telescopic Wall Bar to support the screen. However, you also have the option to upgrade to a more minimal Orbry Designer Corner Bar instead (*see Option 3*).



Note: A corner support arm can only support shower screens with a width of 800mm or less. If the screen is larger than 800mm wide, then a Telescopic Wall Bar or Designer Wall Bar is necessary, unless additional extension panels and channels are used.